

4

3

2

1

THIS DRAWING UNPUBLISHED.

RELEASED FOR PUBUCATION

LOC

DIST

REVISIONS

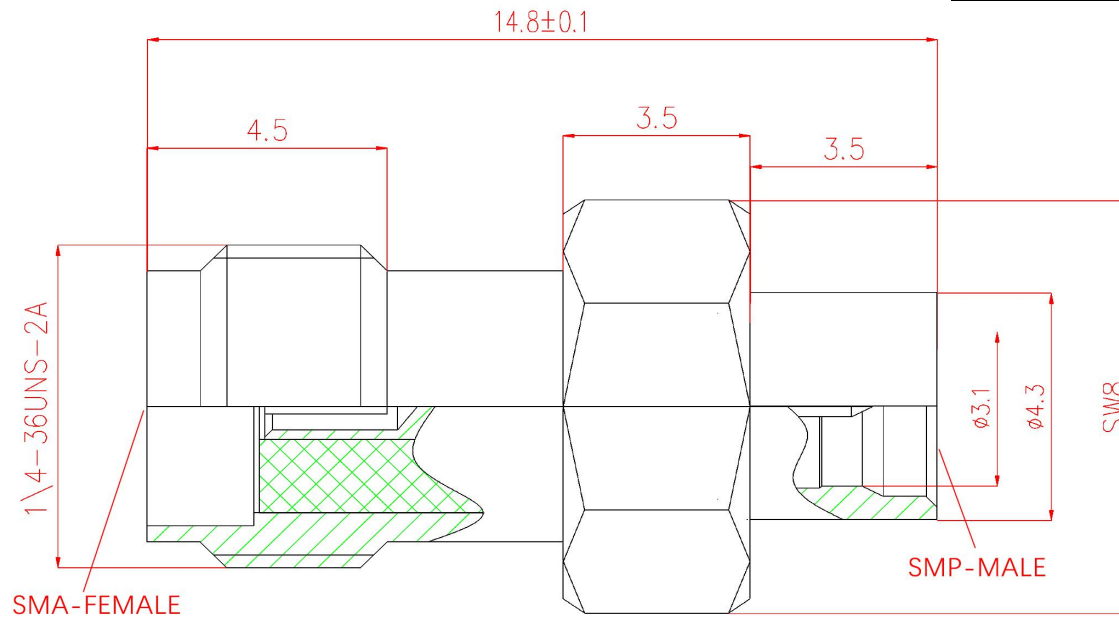
P

LTR

DATE

DWN

APVD



NOTES:

1.ELECTRICAL:

- 1.1 IMPEDANCE: 50Ω
- 1.2 INSULATION RESISTANCE:5000M Ω
- 1.3 FREQUENCY RANGE: DC-6 GHz
- 1.4 DIELECTRIC WITHSTANDING VOLTAGE:
750V MAX AT SEA LEVEL
- 1.5 VSWR:
≤1.20:1
- 1.6 INSERTION LOSS: 0.25dB (MAX)


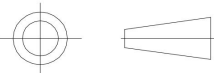
XQY-SMA/SMP-JJTB-6G	SMA-MALE	SMP-MALE
XQY-SMA/SMP-KKTB-6G	SMA-FEMALE	SMP-FEMALE
XQY-SMA/SMP-JKTB-6G	SMA-MALE	SMP-FEMALE
XQY-SMA/SMP-KJTB-6G	SMA-FEMALE	SMP-MALE

2.ENVIRONMENTAL:

- 2.1 TEMPERATURE RANGE: -55° to +125°

3.MATERIAL AND FINISH:

- 3.1 INNER CONDUCTOR MATERIAL:
BERYLLIUM BRONZE GOLD PLATING
- 3.2 INSULATOR: PTFE
- 3.3 EXTERNAL CONDUCTOR MATERIAL:
BRASS GOLD PLATING

THIS DRAWING IS A CONTROLLED DOCUMENT		21/10/2021	 Shenzhen xinqiyuan Technology Co., Ltd.			
		CHK				
DIMENSIONSMM		APVD	NAME			
		TOLERANCES UNLESS OTHERWISE SPECIFIED: 0 PLC ±0.25 1 PLC ±0.15 2 PLC ±0.12 ANGLES ±1°	SMA Female TO SMP Male RF Coaxial Adapter			
		APPLICATION SPEC	SIZE	CAGE CODE	DRAWING NO	
MATERIAL SEE TABLE		FINISH SEE TABLE	A4	01021	XQY-SMA/SMP-KJTB-6G	
		CUSTOMER DRAWING	SCALE	SHEET	OF	RVE
			2:1	1	1	1

4

3

2

1