

4

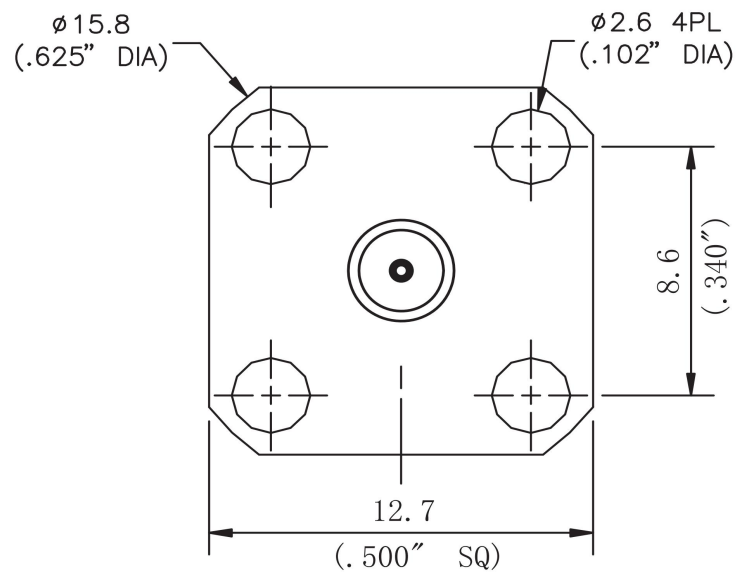
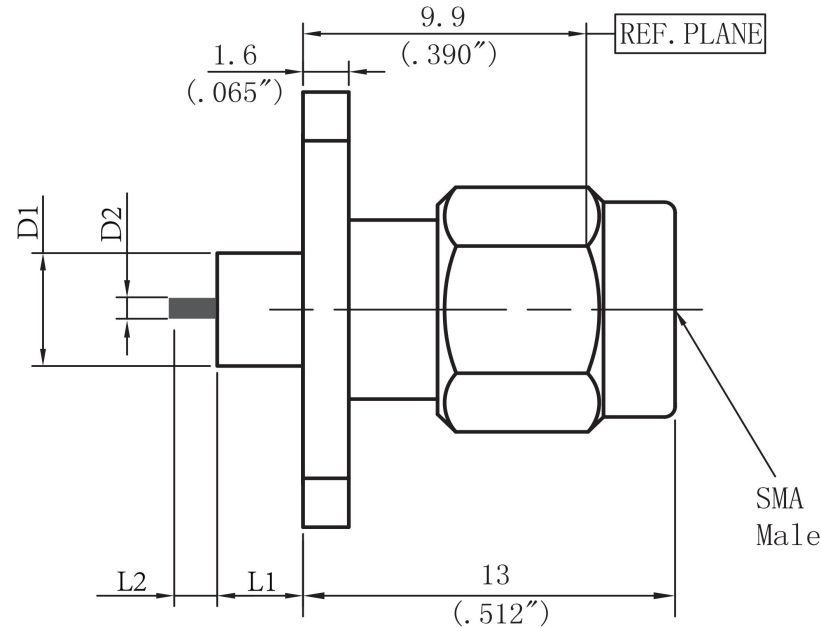
3

2

1

THIS DRAWING UNPUBLISHED.      RELEASED FOR PUBUCATION

LOC	DIST	REVISIONS				
---	---	P	LTR	DATE	DWN	APVD





- NOTES:
- ELECTRICAL:
    - IMPEDANCE: 50Ω
    - INSULATION RESISTANCE: 5000M Ω
    - FREQUENCY RANGE: DC-27 GHz
    - DIELECTRIC WITHSTANDING VOLTAGE: 1000V MAX AT SEA LEVEL
    - VSWR: ≤1.15:1
    - INSERTION LOSS: 0.25dB (MAX)

- ENVIRONMENTAL:
  - TEMPERATURE RANGE: -55° to +165°

- MATERIAL AND FINISH:
  - INNER CONDUCTOR MATERIAL: BERYLLIUM BRONZE GOLD PLATING
  - EXTERNAL CONDUCTOR MATERIAL: STAINLESS STEEL PASSIVATED
  - INSULATOR: PTFE

MODEL	ØD1	ØD2	L1	L2
XQY-SAMP0103F01-M	2.2mm/0.087"	0.3mm/0.012"	3.2mm/0.126"	1.27mm/0.05"
Accept custom sizes and styles				

THIS DRAWING IS A CONTROLLED DOCUMENT		21/10/2021	 Shenzhen xinqiyuan Technology Co., Ltd.		
		CHK			
DIMENSIONSMM		TOLERANCES UNLESS OTHERWISE SPECIFIED: ±0.1 Note: Dimensions (mm / [inch])	APVD	NAME SMA Male RF Coaxial Connector Dielectric through	
			APPLICATION SPEC	SIZE A4	CAGE CODE 01021
			WEIGHT		

4

3

2

1

D

C

B

A

D

C

B

A